



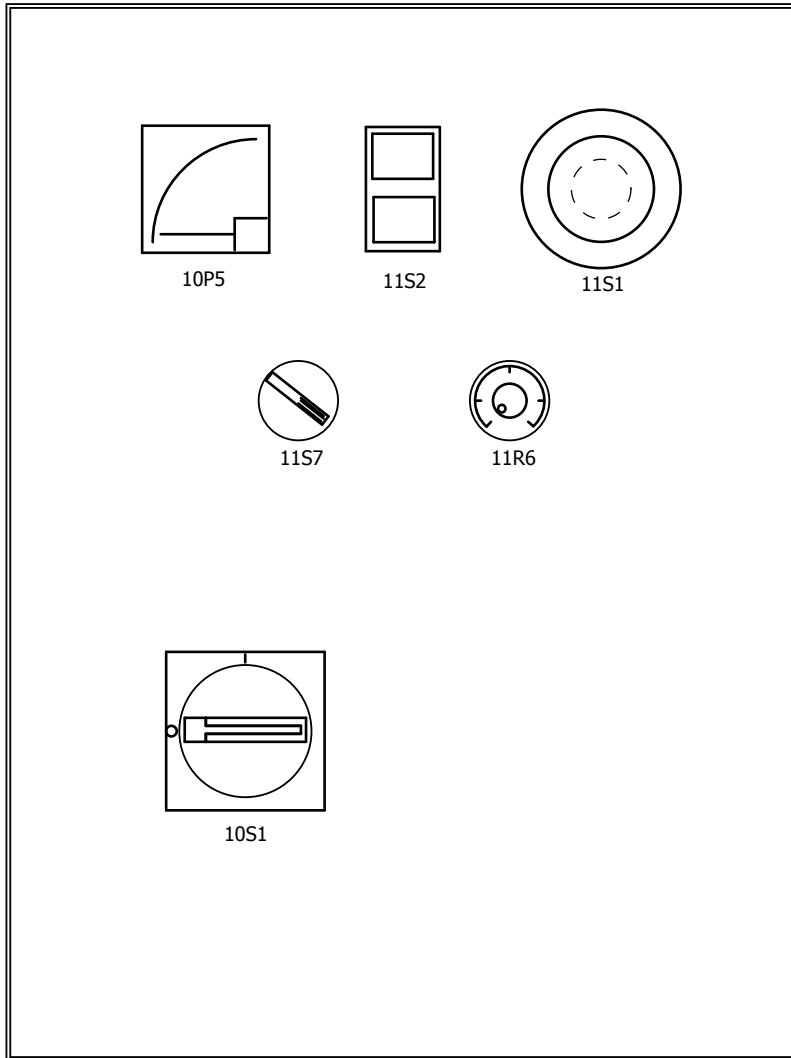
Blastrac bv
Utrechthaven 12
3433 PN Nieuwegein
Netherlands
+31(0)30-6018866
+31(0)30-6018333

Project description	1-8 DPS 30 230V SF UL		
Drawing number	E01535		
Arch. number	PJ06.028993T2B		
Power supply	230VAC		
Input lead			
Control Voltage	230VAC		
Year of Manufacturing	2006		
Remarks			
Created on	5-3-2008		
Edit date	8-2-2011	by	Number of pages 9

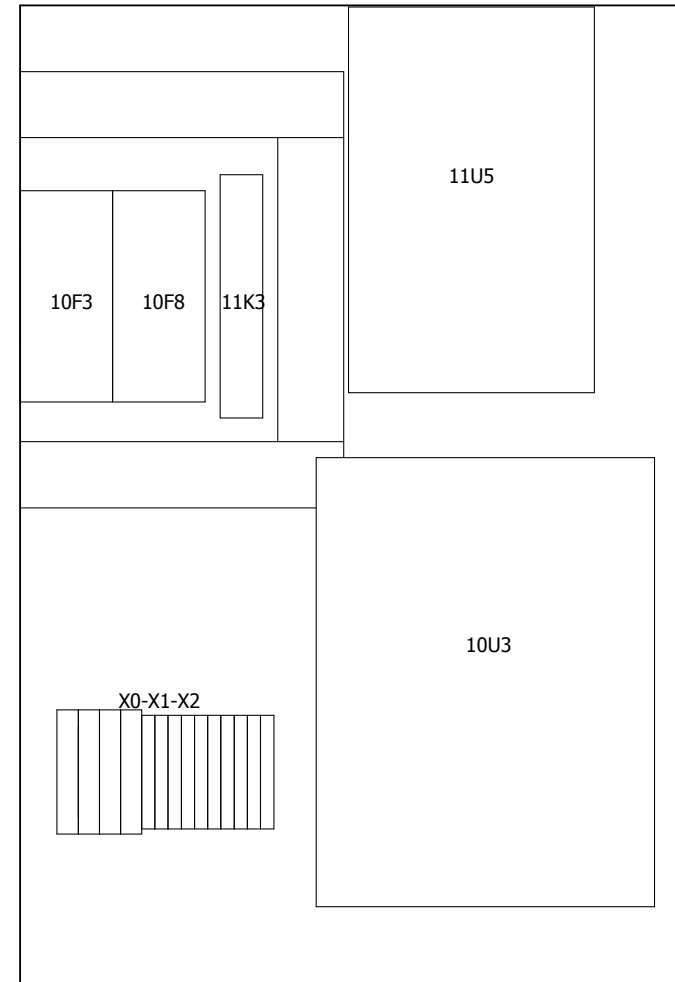
Table of contents

Page	Page description	supplementary page field	Date	Edited by
1	Title page / cover sheet		3-4-2008	fkosterman
2	Table of contents		5-3-2008	fkosterman
5	Panel layout		27-5-2008	fkosterman
10	Main Current		27-5-2008	fkosterman
11	Control current		27-5-2008	fkosterman
101	Terminal diagram X0		18-3-2008	fkosterman
102	Terminal diagram X1		18-3-2008	fkosterman
103	Terminal diagram X2		18-3-2008	fkosterman
300	Parts list :		27-5-2008	fkosterman

FRONT VIEW



MOUNTING PLATE



Modification	Date	Name	Date	29-7-2008
			Ed.	
			Appr	

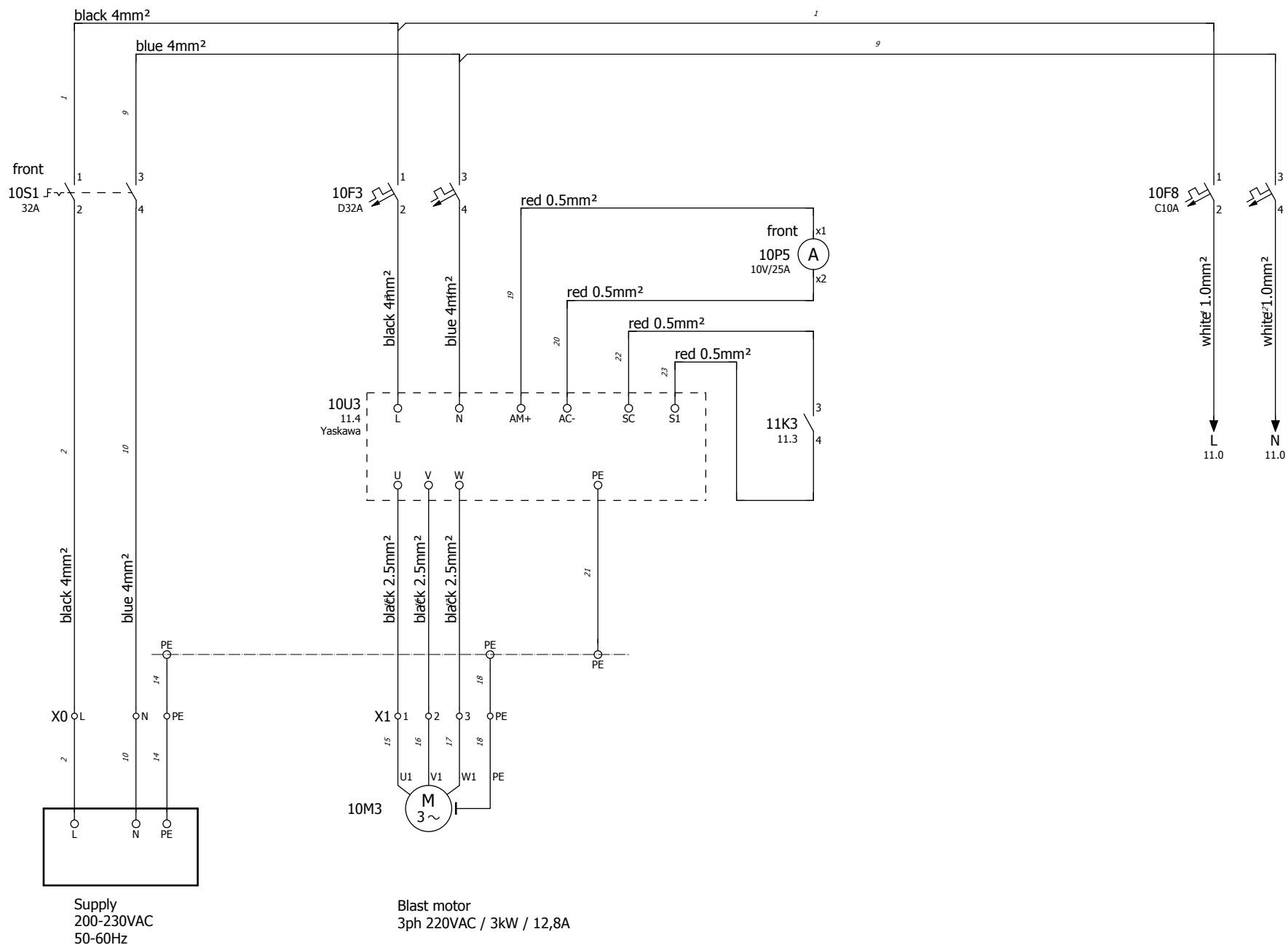
Project name:
1-8 DPS 30 230V SF UL



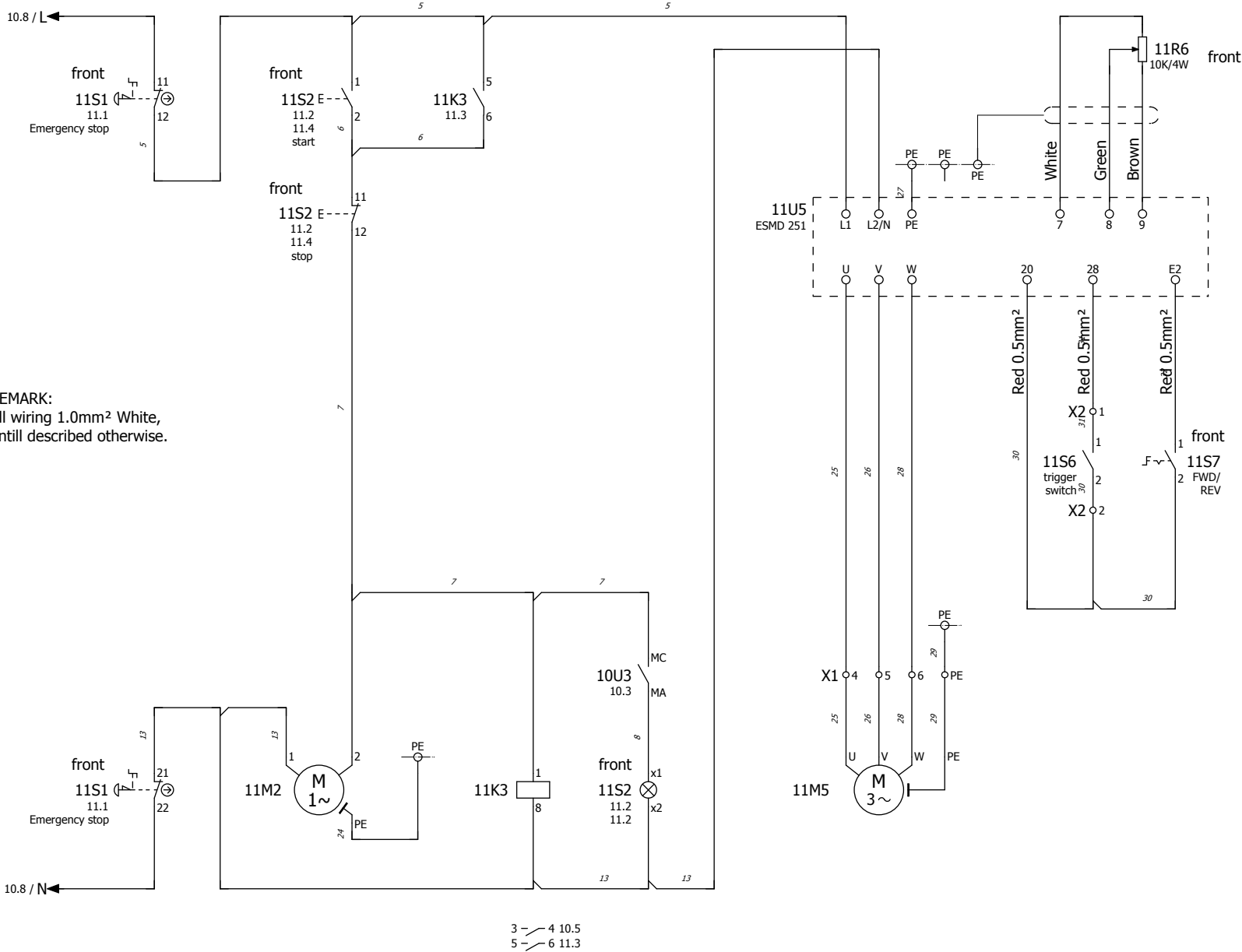
Page description:
Panel layout

Customer:
Blastrac BV

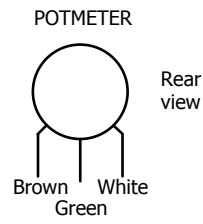
Drawing number:
E01535



			Date	29-7-2008	Project name:	1-8 DPS 30 230V SF UL		Page description:	Main Current	Customer:	Blastrac BV	=
			Ed.							Drawing number:	E01535	+
			Appr.									Page
Modification	Date	Name										



REMARK:
All wiring 1.0mm² White,
untill described otherwise.

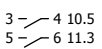


FAN

Motor running

Motor running

Drive motor
3ph 220VAC / 0,25kW
Connect as Delta



Modification	Date	Name

Date	29-7-2008
Ed.	
Appr	

Project name:	1-8 DPS 30 230V SF UL
---------------	-----------------------



Page description:	Control current
-------------------	-----------------

Customer:	Blastrac BV
Drawing number:	E01535

	=
	+
Page	11

Terminal diagram

F13_001

function text	Cable name						Strip X0				Cable name						Page / column							
	cable type						Target designation	Connection point	terminal	jumper	Target designation	Connection point	cable type											
								L	L	.	10S1	2												
								N	N	.	10S1	4												
								PE	PE	.		PE												

Terminal diagram

function text	Cable name	Cable type	Strip X1					Cable name	Cable type	Page / column
			Target designation	Connection point	terminal	jumper	Target designation			
			10M3	U1	1	.	10U3	U	10.3	
			10M3	V1	2	.	10U3	V	10.3	
			10M3	W1	3	.	10U3	W	10.3	
			11M5	U	4	.	11U5	U	11.5	
			11M5	V	5	.	11U5	V	11.5	
			11M5	W	6	.	11U5	W	11.5	
			10M3	PE	PE	.		PE	10.3	
			11M5	PE	PE	.		PE	11.5	

© ART4 Technical Systems, Soest NL

Terminal diagram

F13_001

function text	Cable name	cable type	Strip X2				Cable name	Cable type	Page / column
			Target designation	Connection point	terminal	jumper			
			11S6	1	1	.	11U5	28	11.6
			11S6	2	2	.	11U5	20	11.6
							11S7	2	

Modification			Date	Name	Date	18-3-2008	Ed.	FJK	Appr	Project name: 1-8 DPS 30 230V SF UL					Page description: Terminal diagram X2		Customer: Blastrac BV		Drawing number: E01535		=	
Date		Name		Project name:		Page description:		Customer:		=		Page			103							
Date		Name		Project name:		Page description:		Customer:		=		Page			103							

© ART4 Technical Systems, Soest NL

Parts list

F01_001

device tag		Quantity	designation	Type number	supplier	part number	
DRAWING E01535	DRAWING P106.02893T2B					ART4 Technical Systems	Blastrac
10F3	identical 5F1	1	MCB D32A 2P UL	1492-SP2D320 UL489	AB	C60N-1492-SP2D320 UL489	E05084
10F8	identical 5F2	1	MCB C10A 2P	1492-SP2C100	AB	C60N-1492-SP2C100	E05085
11K3	identical 6K1	1	Interface relay	G2R-2-SNI 230Vac	OMR	OMRON G2R-2-SNI 230AC	E05086
11K3	identical 6K1	1	Header	P2RF-08-E	OMR	OMRON P2RF-08-E	E05087
11M2	identical 6M2	1	Fan 80mm x 80mm x 38mm	8550N	EBM	FAN 80x80x38 240VAC	E01112
10P5	identical 5P1	1	Ampere-meter 25A/10Vdc with cornermask	IQ/EQ48 25A/10V	CEL	IQ/EQ48 25A/10V	E01635
11R6	identical 6R1	1	Potentiometer 10k ohm 4W 500V			POTMETER 10 K OHM	454795
11R6	identical 6R1	1	Terminal header			POTMETER PRINTKLEM	E05088
11R6	identical 6R1	1	Control knob potentiometer	ZB5 AD912	TEL	ZB5-AD912	E01351/1
10S1	identical 5QM1	1	Main switch	V1	TEL	V1 BED.L.S.3P-32A	E05089
10S1	identical 5QM1	1	Control knob main switch	KCF 1PZ	TEL	KCF-1PZ	E05090
11S1	identical 6S1	1	Emergency stop	ZB4 BS54	TEL	ZB4-BSS4 BED.NOODST.	001398
11S1	identical 6S1	1	NO unit double with coupler	ZB4 BZ104	TEL	ZB4-BZ104	E01333
11S2	identical 6SH3	1	NO unit single	ZBE 101	TEL	ZBE-101	E05091
11S2	identical 6SH3	1	ON - OFF button with white LED	ZB5 AW823743	TEL	ZB5-AW823743	E05071
11S2	identical 6SH3	1	Silicon cover	ZBW 008	TEL	ZBW-008	E05070
11S2	identical 6SH3	1	NC unit single	ZBE 102	TEL	ZBE-102	E05092
11S2	identical 6SH3	1	LED unit single	ZB5 AVM1	TEL	ZB5-AVM1 LED WIT 220	E05093
11S7	identical 6S2	1	Control knob switch	ZB5 ADZ	TEL	ZB5-AD2 DRAAISCHAK	E01323
11S7	identical 6S2	1	NO unit single with coupler	ZB5 AZ101	TEL	ZB5-AZ101	333-3224
10U3	identical 5U1	1	Frequency inverter 4kW	V7CC ZB4PO	YAS	FREQ V7CC ZB4PO	E01562
11U5	identical 6U1	1	Frequency inverter 0,25kW	EMSD251X2SFA	LEN	FREQ.REG 0.25KW BAS	E00281